



vegetable harvesting equipment

101 fairfield road lewistown pa 17837-9214

570-523-8174 fax: 570-523-8175

email: frontdesk@pikrite.com

Dear Grower,

Welcome to the growing family of satisfied Pik Rite equipment owners. Our goal is to help make your harvest as enjoyable and trouble free as possible by providing equipment that is durable and keeps down time to a minimum.

In order to provide customer service and a supply of original equipment parts to keep your machine well maintained, we are continually striving to keep our systems state-of-the-art to utilize all available resources that allow us to provide better and more accurate deliveries on time.

We will continue to give you the service you have come to expect from our dealer representatives and us. In order to avoid any delays during your harvest season we make every effort to have someone available to take your calls 24 hours a day. We have shipping companies in place to deliver your parts as expediently as possible whether you live a few miles down the road or on the other side of the globe. Count on us.

Sincerely,

Sam Beiler
Operations Manager
sam@pikrite.com

Home Phone 570-922-1405
Mobile 570-412-0065

www.pikrite.com

Randy Beiler
Parts Manager
parts@pikrite.com

Parts and Service Hotline
800-326-9763

Table of Contents

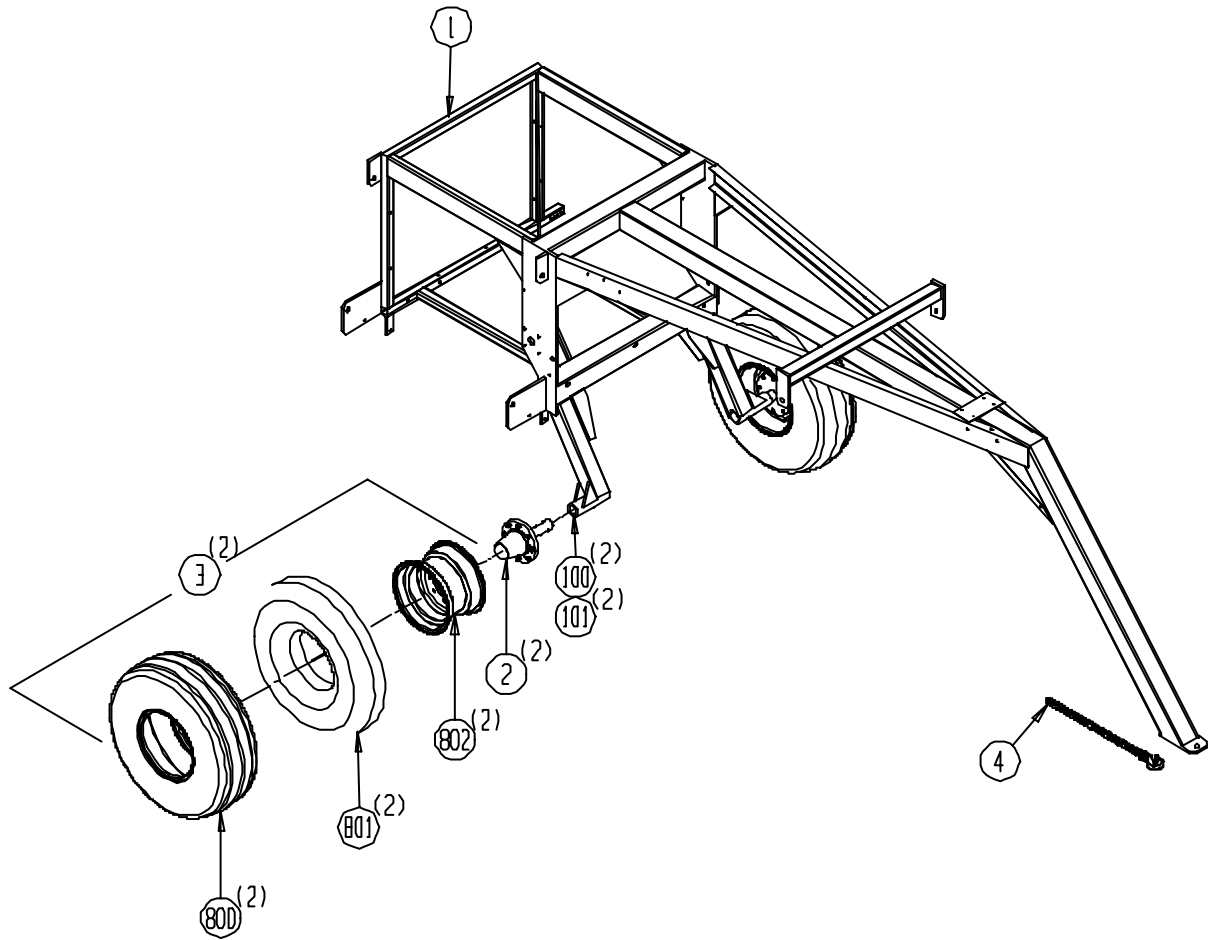
6002-1-1	Frame Assembly.....	4
6002-1-2	Spindle and Hub Assembly.....	6
6002-2-1	Disk Header Frame Assembly.....	8
6002-2-2	Disk Header Drive Shaft Assembly.....	10
6002-2-3	Disk Header Disk Shaft Assembly.....	12
6002-2-4	Gathering Chain Assembly.....	14
6002-3-1	Header Conveyor Assembly.....	16
6002-3-2	Header Conveyor Drive Shaft Assembly.....	18
6002-4-1	Cross Conveyor Assembly.....	20
6002-5-1	Discharge Conveyor Assembly.....	22
6002-5-2	Discharge Conveyor Drive Shaft Assembly.....	24
6002-6-1	Hydraulic Cylinder Assembly.....	26
6002-6-2	Electric/Hydraulic Valve Assembly.....	28
6002-6-3	Elect./Hyd. Valve Section, Unloading Inlet.....	30
6002-6-4	Elect./Hyd. Valve Section, With Locks.....	32
6002-6-5	Hydraulic Motor Plumbing Assembly.....	34
6002-6-6	Hydraulic Flow Control Parts Assembly.....	36
6002-7-1	Electrical Assembly.....	38

PARTS
CATALOG

6002-1-1 Frame Assembly

<u>Ref</u>	<u>Part No.</u>	<u>Description</u>	<u>Parts – Assembly</u>	<u>Will Fit SN</u>	<u>Remarks</u>
1	FRM-6100	Frame, Main, Chassis Structure, Vine Diverter	1		
2	WHL-1115	Complete Hub and Spindle Assembly	2	193-1109 / WHL-1121	
3	WHM-1100	Mounted Tire Tube/ Wheel Assembly for 12.5 L15 14 ply Tire	2		
4	FRM-3168	Safety Chain, 3/8" x 35" w/Forged Slip Hook	1		
100	BL-8-400-H	1/2-13 X 4 HEX CAP G5 ZC	2		
101	BL-8-LN	1/2-13 HEX LOCK NUT NYLON INSERT ZC	2		
800	WHT-1121	12.5 L15 14 ply McCreary Tire	2	19101	
801	WHT-1122	12.5 x L15 Tube (Heavy Duty)	2	19101	
802	WHT-1123	10 x 15 8 lug Rim	2	19101	8-8-6

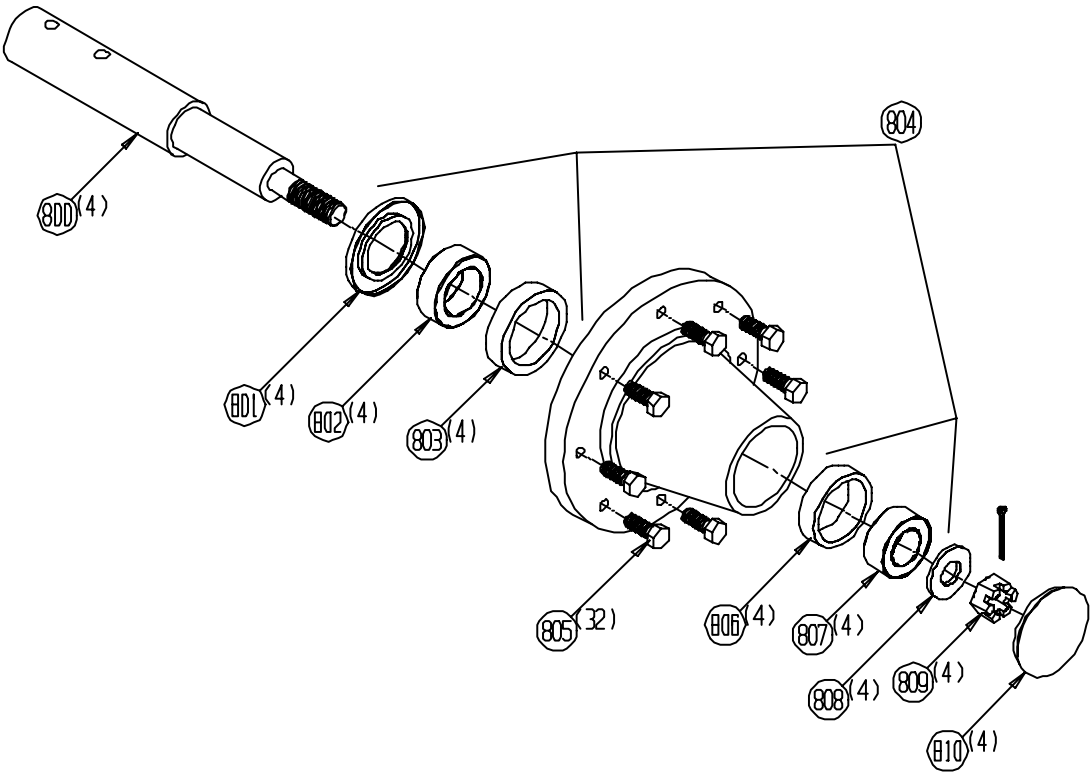
6002-1-1 FRAME ASSEMBLY



6002-1-2 Spindle and Hub Assembly

<u>Ref</u>	<u>Part No.</u>	<u>Description</u>	<u>Parts – Assembly</u>	<u>Will Fit SN</u>	<u>Remarks</u>
800	WBR-1108	Spindle for Machine Wheel	2	WHL-1115	Drilled
801	WBR-1107A	Seal CR-20148	2	WHL-1115	
802	WBR-1107B	Inside Wheel Bearing	2	WHL-1115	
803	WBR-1107F	Inner cup	2	WHL-1115	
804	WBR-1107K	Complete Wheel Bearing Kit	2	WHL-1115	All
805	WBR-1107L	Wheel, Lug bolts	16	WHL-1115	
806	WBR-1107G	Outer cup	2	WHL-1115	
807	WBR-1107C	Outside Wheel Bearing	2	WHL-1115	
808	WBR-1107H	Washer	2	WHL-1115	
809	WBR-1107D	Nut 7/8-14	2	WHL-1115	
810	WBR-1107E	Cap	2	WHL-1115	

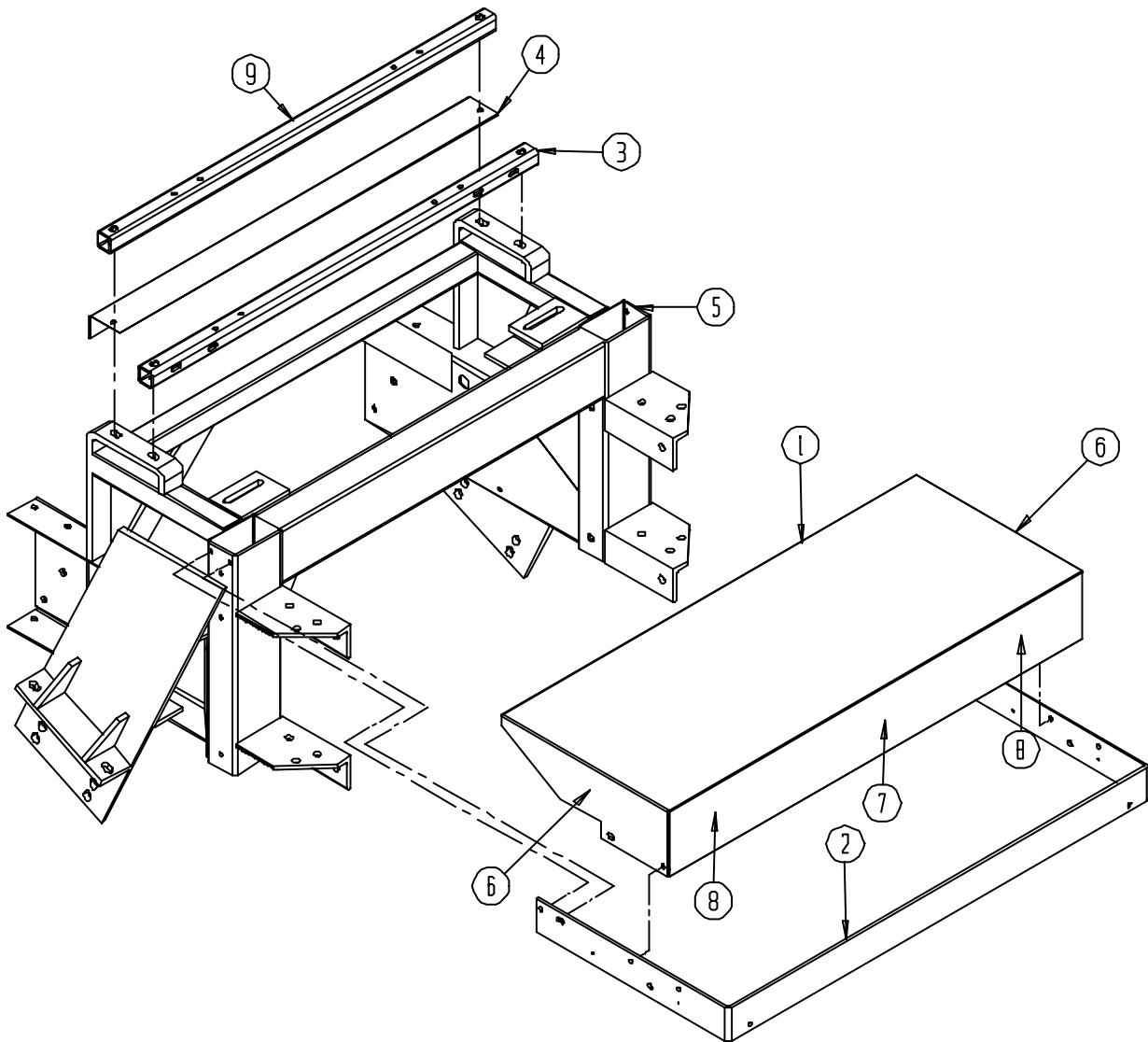
6002-1-2 SPINDLE AND HUB ASSEMBLY



6002-2-1 Disk Header Frame Assembly

<u>Ref</u>	<u>Part No.</u>	<u>Description</u>	<u>Parts – Assembly</u>	<u>Will Fit SN</u>	<u>Remarks</u>
1	192-139	Shield, Disk Header Cover (Tomato)	1	19201-	
2	192-139A	Safety Bar	1	19201-	
3	194-109	Disk Motor Stabilizer Bar	1	19401-19525 60096001- 61096001- 194-231K	
4	SHD-109	Shield, Drive Shaft Roller Chain Sprocket	1		
5	FRM-6200	Frame, Disk Header, Vine Diverter	1		
6	DC-1176	Decal, Danger-Hand Chain Sprockets	2		
7	DC-1184	Danger Decal, 3" x 16"	1		
8	DC-ARROW	Decal, Yellow Direction Arrow	2		
9	194-109R	Bar, Motor Stop Stabilizer, Tom. Disk Header	1		

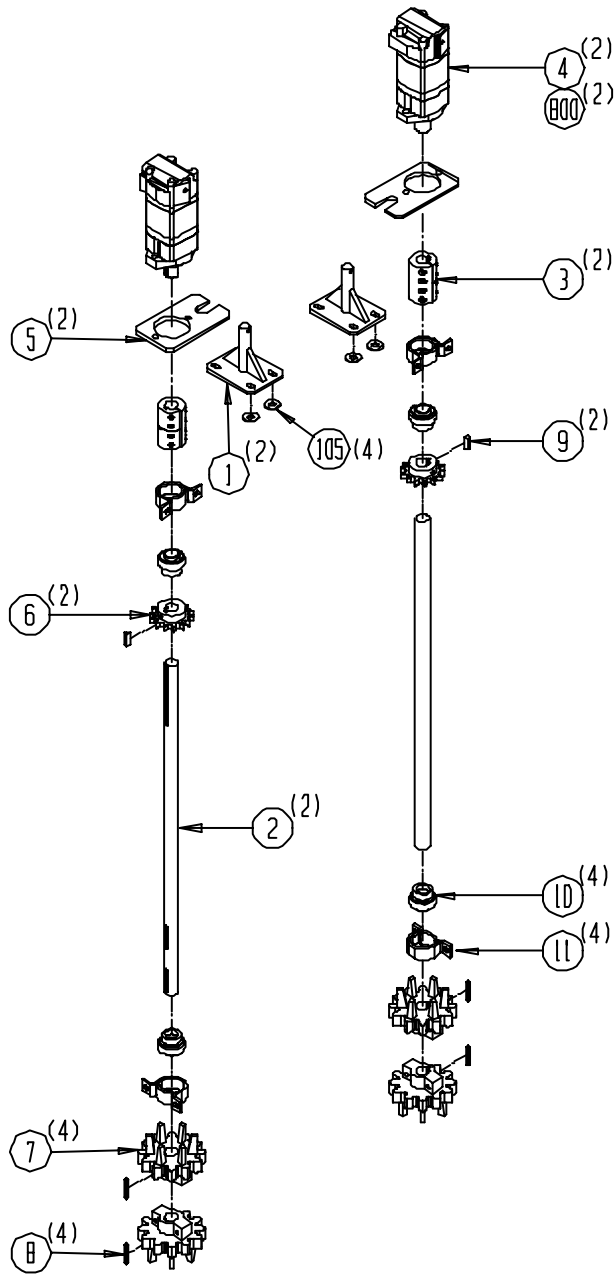
6002-2-1 DISK HEADER FRAME ASSEMBLY



6002-2-2 Disk Header Drive Shaft Assembly

<u>Ref</u>	<u>Part No.</u>	<u>Description</u>	<u>Parts – Assembly</u>	<u>Will Fit SN</u>	<u>Remarks</u>
1	STP-1228	Stop, Motor, Arm Mounted, High Tor. Motors	2		
2	194-155	Shaft, Gathering Chain	2		Available as update kit
3	CPS-6057	Coupler, Solid, 1.25", Cucumber & Tomato	2		This Replaces CPS-6056.
4	HM-1228-CH	Char Lynn Motor	2		
5	ARM-1228	Arm, Mount, Motor Mounting Pad, High Tor. Motors	2		
6	SP-60B14-20-5	Sprocket, 60B14 1 1/4 bore 5/16 keyway	2		191-116 Old P/N Not used '91 to '93 except on machines without gathreing chains. Used on all machines upgraded with direct drive gathering chin kits.
7	SPU-3612-20-4	Urethane Sprocket 36-12 1 1/4 bore 1/4" key	4		Sub SP-3612-20-4
8	KEY-4-4-32	Shaft Key 1/4" x 2" Square Cut (1018)	4		
9	KEY-5-5-20	Shaft Key 5/16" sq x 1 1/4" Square Cut (1018)	2		
10	BR-125-062	Bearing, 1 1/4 Fafnir tri-seal, 62mm OD	4		
11	BR-062-MPB	Stamped Bearing Housing for 1 1/4" bearing	4		
100	BL-5-125-SCF	5/16 - 24 x 1 1/4", Socket Head Cap Screw	8		
101	BL-5-150-H	5/16-18 X 1 1/2 HEX CAP G5 ZC	2		
102	BL-5-LN	5/16-18 HEX LN NE ZC	2		
103	BL-8-175-H8	1/2 x 1 3/4",Grade 8,Hex Head	4		
104	BL-8-LNS	1/2 Stover Lock Nut	4		
105	BL-8-FW-8	1/2 FLAT WASHER G8 ZC	4		
800	HM-1228-SK	Seal Kit for Char-Lynn	2	2000 Series	

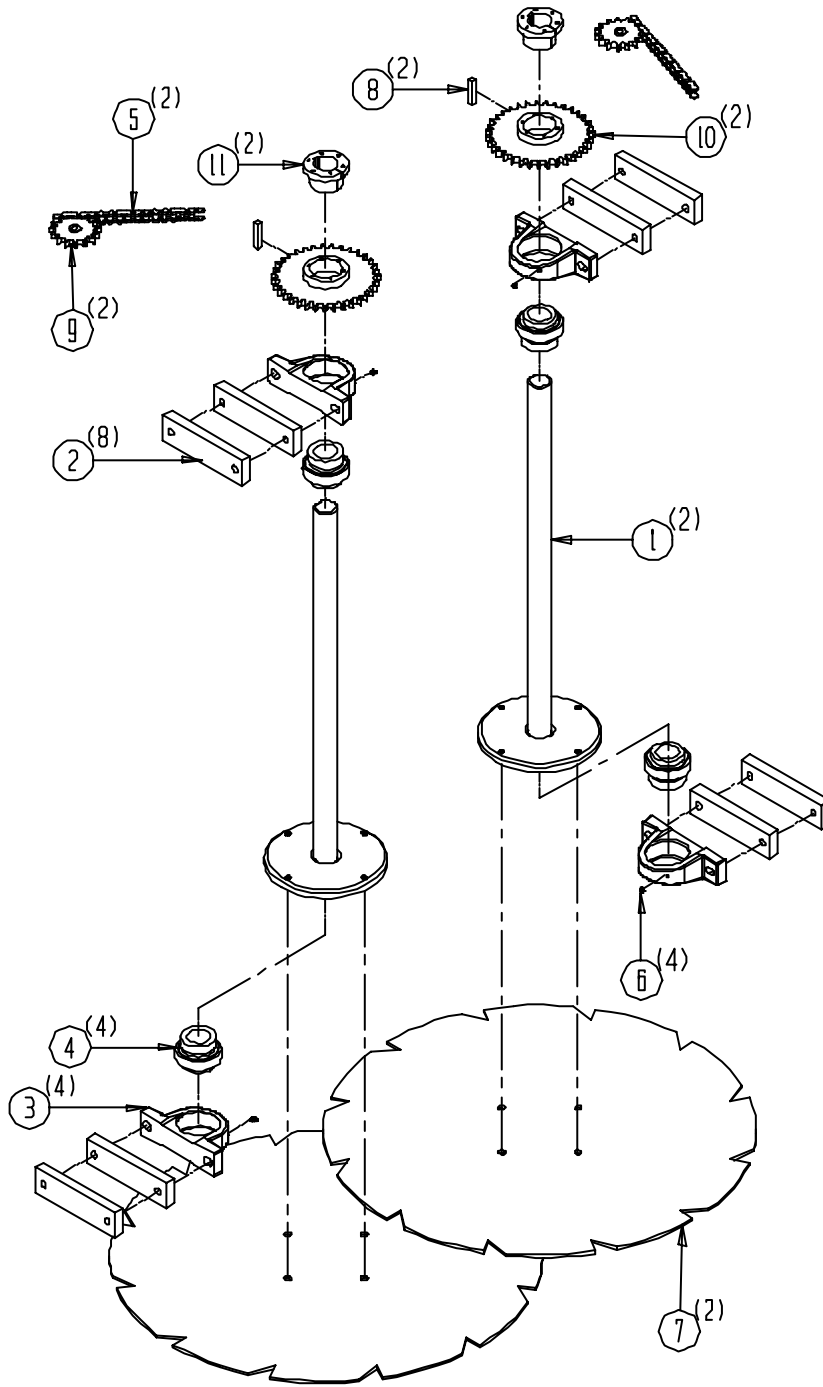
6002-2-2 DISK HEADER DRIVE SHAFT ASSEMBLY



6002-2-3 Disk Header Disk Shaft Assembly

<u>Ref</u>	<u>Part No.</u>	<u>Description</u>	<u>Parts – Assembly</u>	<u>Will Fit SN</u>	<u>Remarks</u>
1	191-131	Shaft, Disk	2		
2	192-131S	Disk Bearing Spacer	8	19201-	May be omitted
3	BR-100-RAK	2" Bearing Housing	4	11001	
4	BR-200-100	2" Fafnir Bearing, Tri-ply	4	11001	
5	CH-60H-67	Roller Chain 67 pitches #60H Disk Drive(Tomato) w/master link	2	19101	
6	GF-1428	Grease Fitting 1/4" x 28 straight	4		
7	HD-140-06	36" Header Disk	2		
8	KEY-8-8-40	Shaft Key 1/2" x 1/2" x 2 1/2"	2		
9	SP-6015-T	Idler, # 60 Roller Chain Adjuster	2	19201	
10	SP-60SK35	Disk Shaft Sprocket	2	19101	
11	SP-SK-2	Sprocket, Bushing SK	2	19101	
100	BL-10-450-H	5/8-11 X 4 1/2 HEX CAP G5 ZC	4		
101	BL-10-LN	5/8-11 HEX LN NE ZC	4		
102	BL-5-200-8T	5/16-18 x 2 Grade 8 Tap Bolt	6		
103	BL-8-100-H	1/2-13 X 1 HEX CAP G5 ZC	8		
104	BL-8-450-H	1/2-13 X 4 1/2 HEX CAP G5 ZC	4		
105	BL-8-FW-8	1/2 FLAT WASHER G8 ZC	8		
106	BL-8-LN	1/2-13 HEX LOCK NUT NYLON INSERT ZC	4		
107	BL-8-LW	1/2 SPLIT LW ZC	8		
108	BL-8-SW	1/2 SAE FW ZC	8		

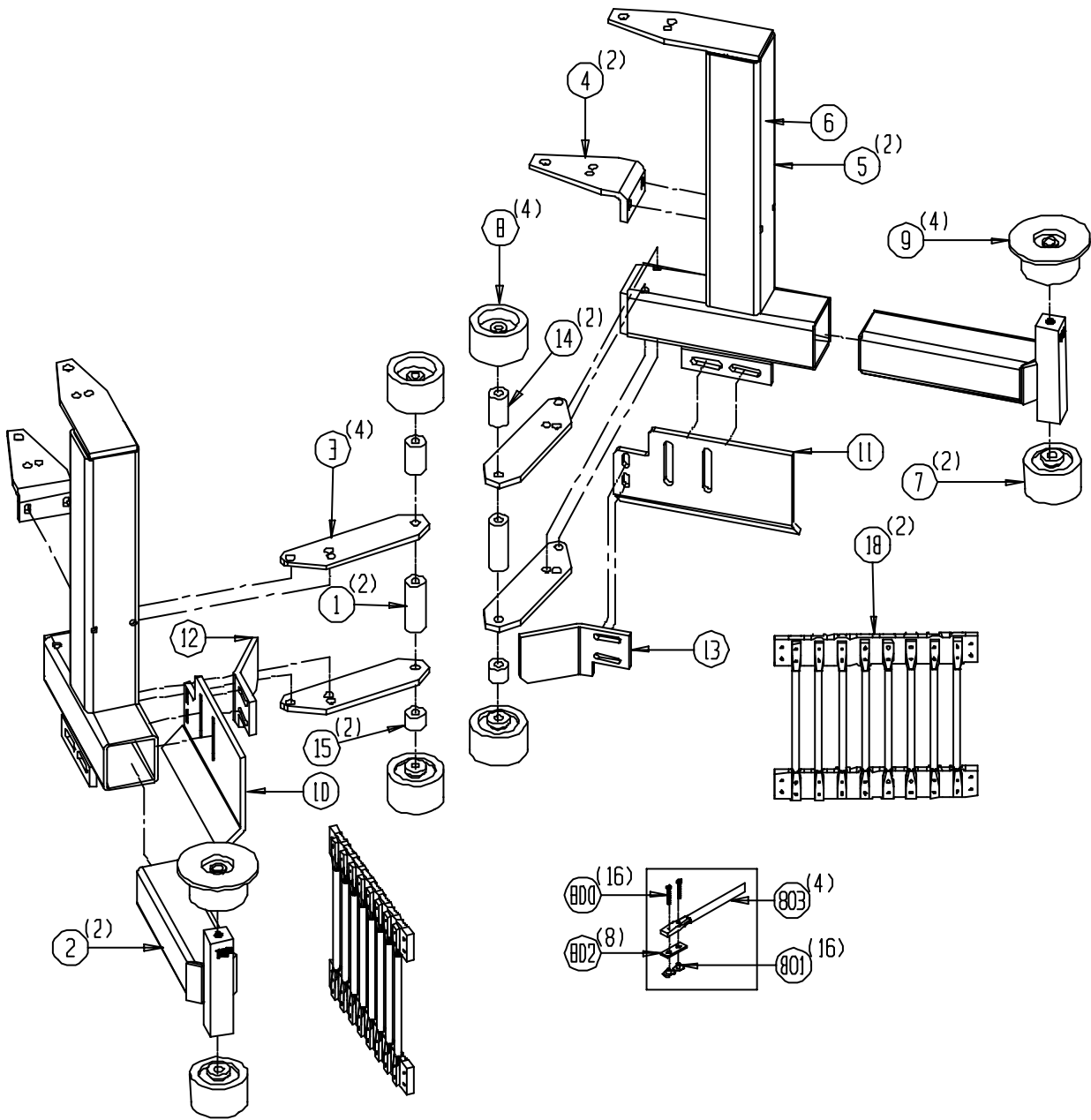
6002-2-3 DISK HEADER DISK SHAFT ASSEMBLY



6002-2-4 Gathering Chain Assembly

<u>Ref</u>	<u>Part No.</u>	<u>Description</u>	<u>Parts – Assembly</u>	<u>Will Fit SN</u>	<u>Remarks</u>
1	192-107A	Slide Guide Roller	2		
2	ADJ-155	Adjuster, Nose Tightener, Gathering Chain	2		
3	bar-184	Roller Positioner, Gathering Chains, 2" Spacing	4		
4	BRA-1811	Mounting Bracket, Gathering Chain	2		
5	BRA-1821	Gathering Chain Bracket	2		
6	DC-3026	Orange Reflective Tape @ 50ft Roll	0.02		
7	RLT-035-2210	Roller 3.5 dia x 2.2 x 5/8" bore, no flange	2	194-161K	
8	RLT-035-228	Roller 3.5 dia x 2.2 x 1/2" bore, no flange	4		
9	RLT-535-2210-RV	5" Flange Roller 2.2 WF 3.5 dia, 5/8" bore w/ Inverted Spindle	4		
10	SCR-162	Scraper, Upper, Inner, Disk Header	1		
11	SCR-164	Scraper, Upper, Outer, Disk Header	1		
12	SCR-185	Scraper, Disk Hub, Inner, Tom.	1	SCR-162	Use if equipped w/(2)#192-131S @ Disk Shaft Bearing.
13	SCR-186	Scraper, Disk Hub, Outer, Tom.	1	SCR-164	Use if equipped w/(2)#192-131S @ Disk Shaft Bearing.
14	SPA-6130	Roller Spacer (Gathering Chain)	2		
15	SPA-6131	Spacer, Gathering Chain Assy, Rollers	2	60097001-	
16	BC-6-1236-60	Gathering chain, 3/8 bars 12in wide x 60 links 36mm	2		
100	BL-10-200-H	5/8-11 X 2 HEX CAP G5 ZC	4		
101	BL-10-800-T	5/8-11 X 8 HEX TAP G8 ZC	2		
102	BL-10-LN	5/8-11 HEX LN NE ZC	4		
103	BL-10-N	5/8-11 HEX FIN NUTS ZC	2		
104	BL-10-SW	5/8 SAE FW ZC @	8		
105	BL-8-1200-H	1/2-13 X 12 HEX CAP G5 ZC	2		
800	BC-1032-FS	10-32 x 1 1/4" bolts Flat Socket Head	16		
801	BC-1032-TN	10-32 T Nuts	16	11001	
802	BC-BP20-10-T	20mm Backing Plates /10-32 T Nuts	8		
803	BC-6-12-ST	3/8" x 12" Belted Chain Rod for 50mm Belt	4	1910119320	

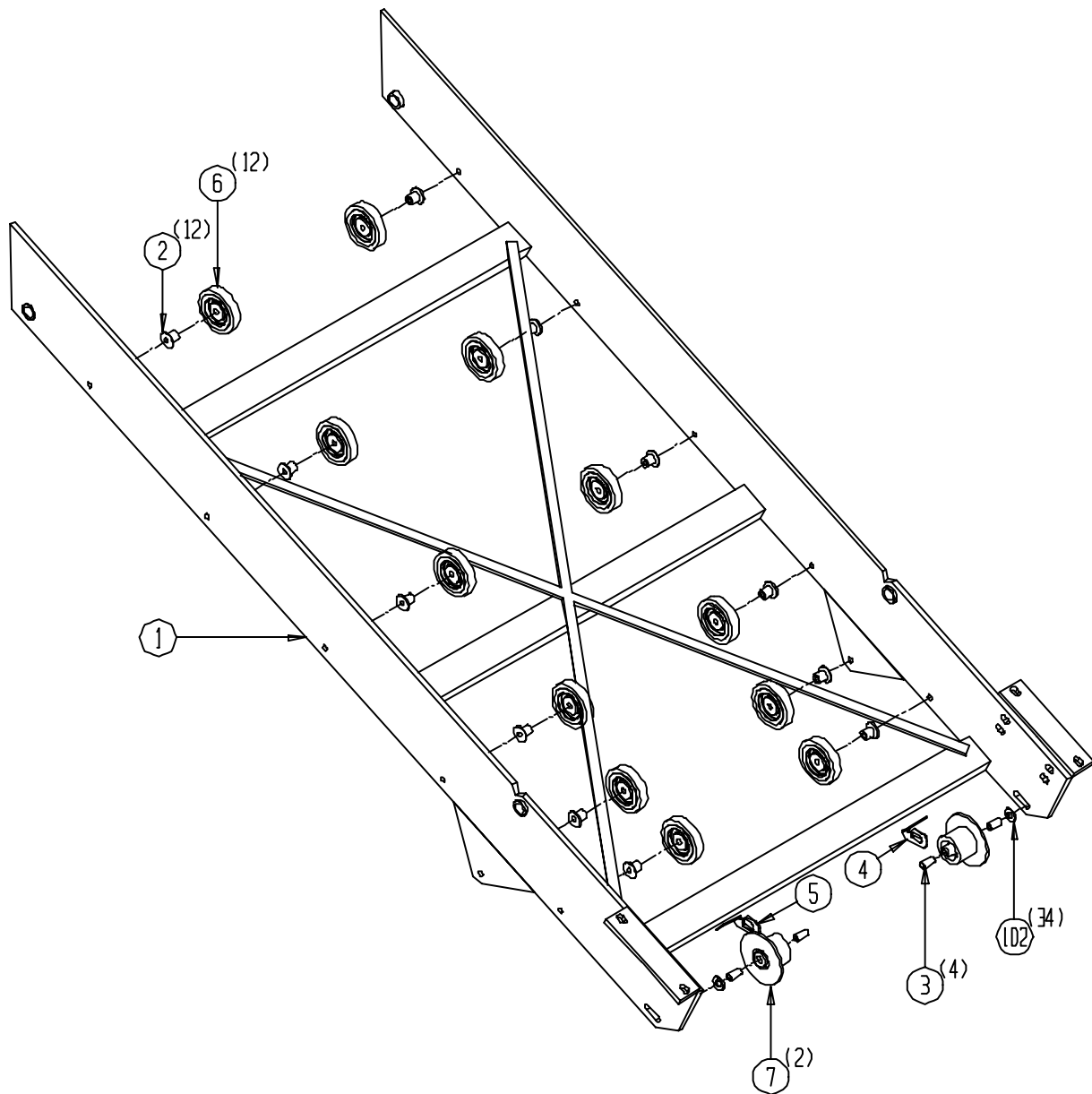
6002-2-4 GATHERING CHAIN ASSEMBLY



6002-3-1 Header Conveyor Assembly

<u>Ref</u>	<u>Part No.</u>	<u>Description</u>	<u>Parts – Assembly</u>	<u>Will Fit SN</u>	<u>Remarks</u>
1	FRM-6300	Frame, Header Conveyor, Header, Vine Diverter	1		
2	RLA-000-118	Standoff, 1/2" X 1 1/8"	12		
3	RLA-006-128	Bushing, 1/2" x 5/8" x 1.25	4		
4	RLA-3023-TM	Scraper for Nose Roller, RH	1		For use with RLS-522- 2010-SC roller only
5	RLA-3024-TM	Scraper for Nose Roller, LH	1		For use with RLS-522- 2010-SC roller only
6	RLR-040-108	4" Flat Roller	12		
7	RLS-522-2010-SC	Steel Roller, 5" Flange, 2.2" Dia, 2" wide, w/Hub for Scraper	2		For use with scrapers RLA-3023- TM (RH) and RLA-3024- TM (LH) only
100	BL-10-600-R	5/8-11x6", Full Threaded Rod, Grade 5, Zinc Coated	4		
101	BL-10-N	5/8-11 HEX FIN NUTS ZC	16		
102	BL-10-SW	5/8 SAE FW ZC @	34		

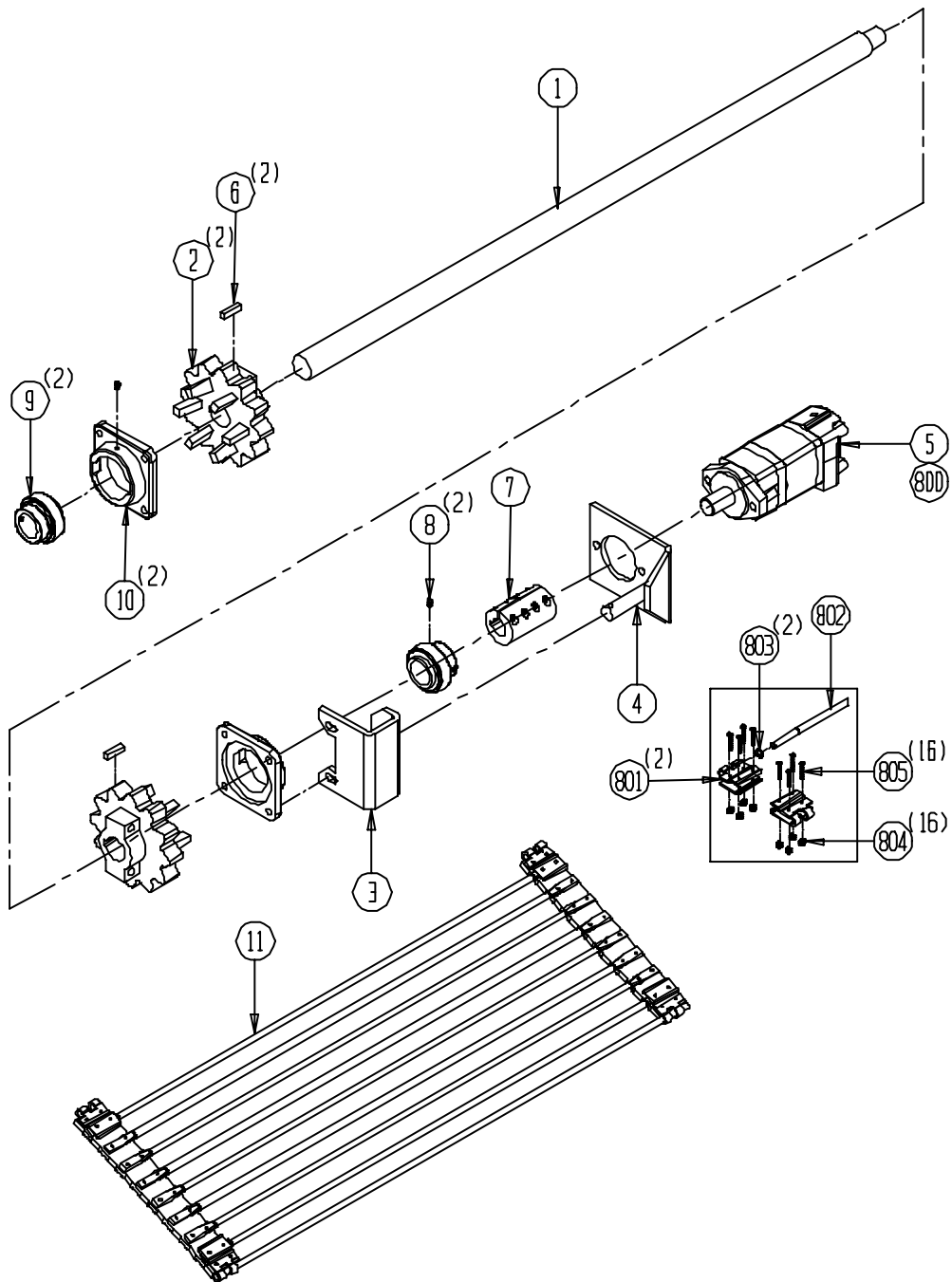
6002-3-1 HEADER CONVEYOR ASSEMBLY



6002-3-2 Header Conveyor Drive Shaft Assembly

<u>Ref</u>	<u>Part No.</u>	<u>Description</u>	<u>Parts – Assembly</u>	<u>Will Fit SN</u>	<u>Remarks</u>
1	SFT-6300	Shaft, Header Chain Drive, Vine Diverter	1		
2	SPU-4212-28-6	Urethane Sprocket 42mm x 12 tooth, 1 3/4" x 3/8 key	2	19101	Sub SP-4212-28-6
3	STP-3501	Stop, Primary Header Motor (Pickle)	1	30096001-	
4	MOU-1228	Mount, Motor, SAE A Two Bolt, Disk Header	1		
5	HM-1228-CH	Char Lynn Motor	1		
6	KEY-6-6-24	Keystock 3/8" x 3/8" x 1 1/2" Square Cut (1018)	2		
7	CPS-6057	Coupler, Solid, 1.25", Cucumber & Tomato	1		This Replaces CPS-6056.
8	GF-1428	Grease Fitting 1/4" x 28 straight	2		
9	BR-175-085	Fafnir Bearing 1 3/4 Tri Seal	2		
10	BR-085-RCJ	RCJ Bearing Housing	2	11001	
11	BC-7-4442-120	Vine Diverter Header Chain	1		
800	HM-1228-SK	Seal Kit for Char-Lynn	1	2000 Series -	
801	BC-F-42-32	F Connecting Clip 42-32 @ pair	2		
802	BC-7-44-CN	Connecting Rod 44" x 11mm	1		
803	BC-3525	Grip Clip 11mm	2		
804	BC-1032-LN	10-32 lock nuts	16		
805	BC-1032-FS	10-32 x 1 1/4" bolts Flat Socket Head	16		

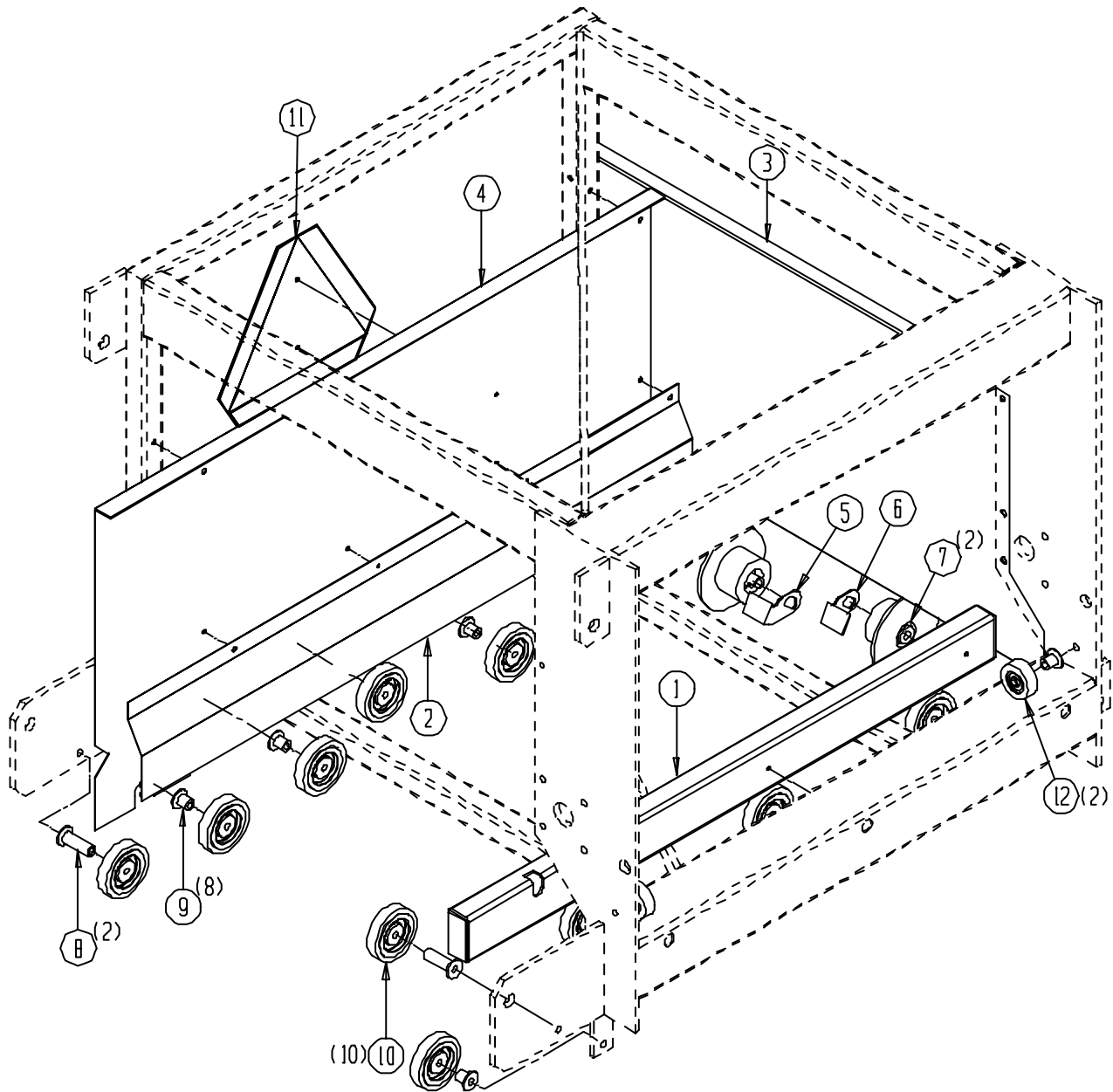
6002-3-2 HEADER CONVEYOR DRIVE SHAFT ASSEMBLY



6002-4-1 Cross Conveyor Assembly

<u>Ref</u>	<u>Part No.</u>	<u>Description</u>	<u>Parts – Assembly</u>	<u>Will Fit SN</u>	<u>Remarks</u>
1	COV-6400	Cover, Front Hold Down Roller, Vine Diverter	1		
2	COV-6401	Cover, Rear Hold Down Roller, Cross, Vine Diverter	1		
3	PAN-6400	Panel, Left Side, Cross Conv., Vine Diverter	1		
4	PAN-6401	Panel, Rear, Cross, Vine Diverter	1		
5	RLA-3023S	Curved Scraper, RH	1		
6	RLA-3024S	Curved Scraper, LH	1		
7	RLT-635-2210-SC	6 1/2" Flange Roller w/Shaft for Scraper 5/8" Bore	2		
8	RLA-000-278	Standoff 1/2 x 2 3/4	2	1910119320	
9	RLA-000-118	Standoff, 1/2" X 1 1/8"	10		
10	RLR-040-108	4" Flat Roller	10		
11	SMV-PL	SMV Sign, Metal	1		
12	RLT-027-108	Roller 2.75" dia. 1/2" Bore	2		2755C1X (Old Number, Single Bearing)

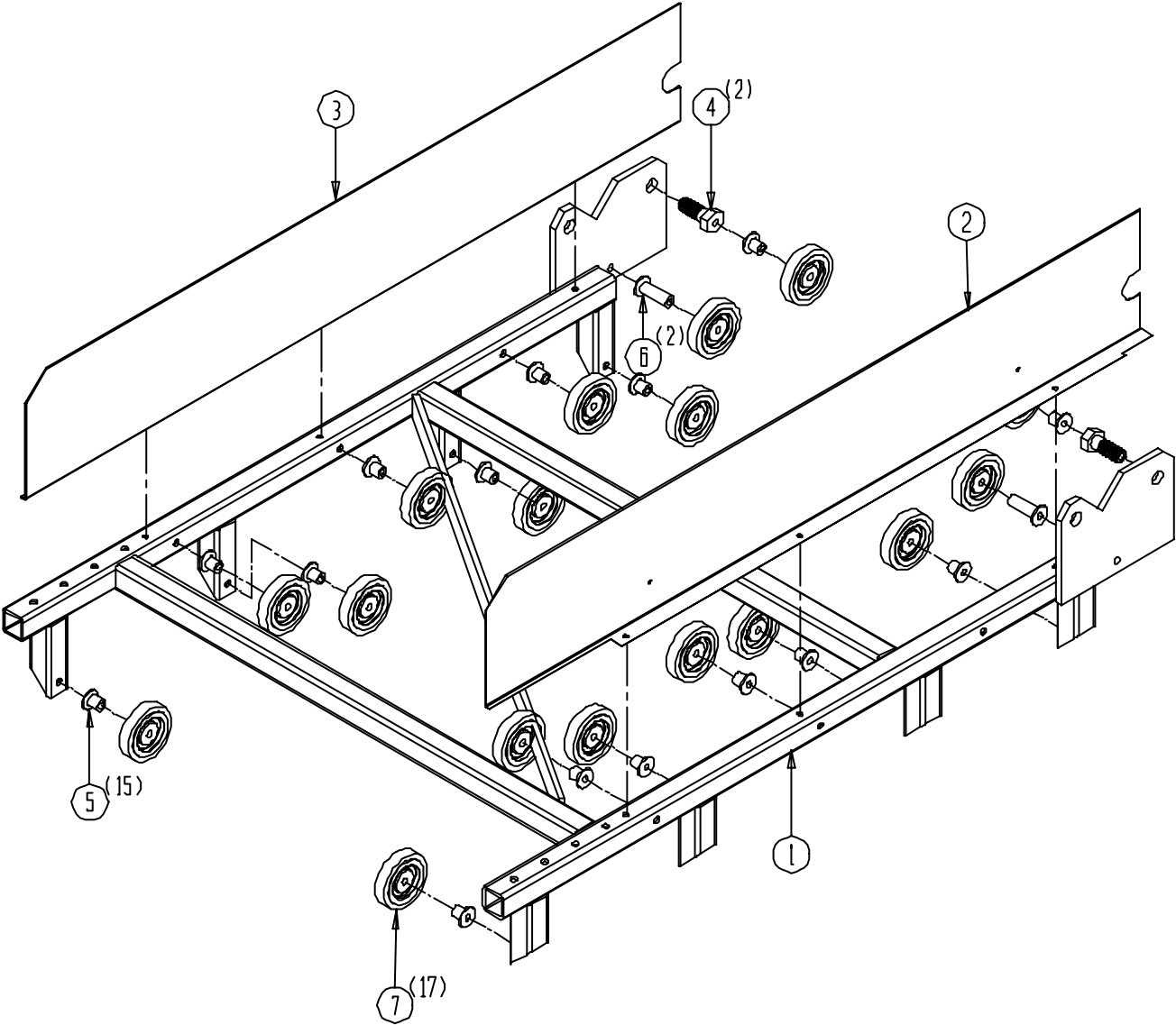
6002-4-1 CROSS CONVEYOR ASSEMBLY



6002-5-1 Discharge Conveyor Assembly

<u>Ref</u>	<u>Part No.</u>	<u>Description</u>	<u>Parts – Assembly</u>	<u>Will Fit SN</u>	<u>Remarks</u>
1	FRM-6500	Frame, Discharge Conveyor, Vine Diverter	1		
2	PAN-6500	Panel, Front Side, Discharge, Vine Diverter	1		
3	PAN-6501	Panel, Back Side, Discharge, Vine Diverter	1		
4	PIN-6500	Pin, Pivot & Hold Down Roller, Vine Diverter	2		
5	RLA-000-118	Standoff, 1/2" X 1 1/8"	15		
6	RLA-000-278	Standoff 1/2 x 2 3/4	2	1910119320	
7	RLR-040-108	4" Flat Roller	17		

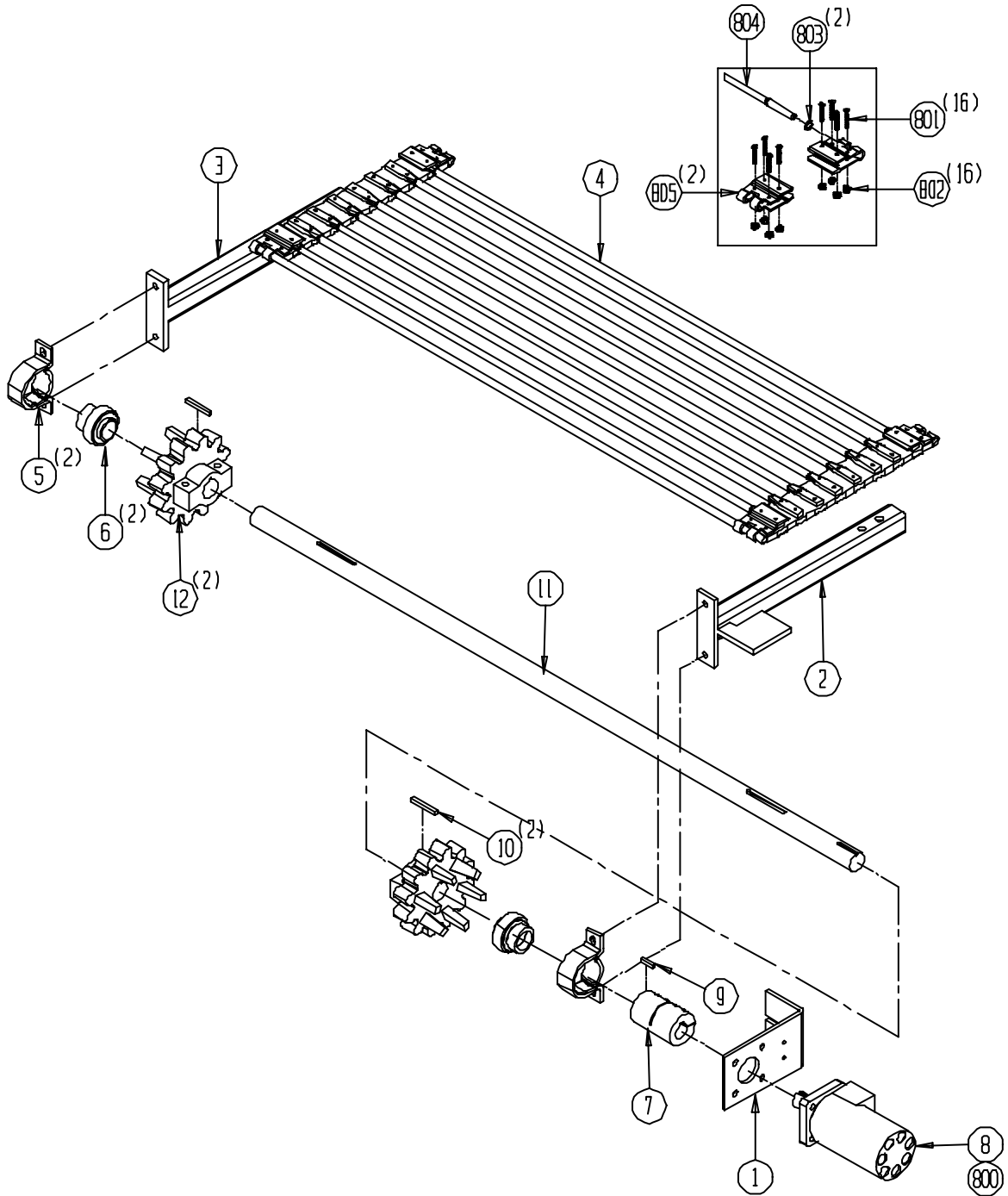
6002-5-1 DISCHARGE CONVEYOR ASSEMBLY



6002-5-2 Discharge Conveyor Drive Shaft Assembly

<u>Ref</u>	<u>Part No.</u>	<u>Description</u>	<u>Parts – Assembly</u>	<u>Will Fit SN</u>	<u>Remarks</u>
1	193-806	Mount motor	1		
2	ADJ-6500	Adjuster, Front Side, Discharge, Vine Diverter	1		
3	ADJ-6501	Adjuster, Back Side, Discharge, Vine Diverter	1		
4	BC-6-4436-200	Vine Diverter Cross Conveyor	1		
5	BR-062-MPB	Stamped Bearing Housing for 1 1/4" bearing	2		
6	BR-125-062	Bearing, 1 1/4 Fafnir tri-seal, 62mm OD	2		
7	CPS-6060	Steel Coupler (offcenter) 1 1/4" x 1"	1		
8	HM-204-CH	Char-Lyn Hydraulic Motor	1		
9	KEY-4-4-16	Shaft Key 1/4" X 1/4" X 1" Square Cut (1018)	1	20095001-	
10	KEY-4-4-32	Shaft Key 1/4" x 2" Square Cut (1018)	2		
11	SFT-6500	Shaft, Discharge Chain Drive, Vine Diverter	1		
12	SPU-3612-20-4	Urethane Sprocket 36-12 1 1/4 bore 1/4" key	2		Sub SP-3612-20-4
800	HM-200S	Seal Kit For Char Lyn Motor	1	H Series - 008 A Series -002	
801	BC-1032-FS	10-32 x 1 1/4" bolts Flat Socket Head	16		
802	BC-1032-LN	10-32 lock nuts	16		
803	BC-3510	Grooveless Grip Clip, 10mm	2		
804	BC-6-44-CN	Connecting Rod 44" x 10mm	1		
805	BC-F-36-32	F Connecting Clips 36-32 @ pair	2	11001	

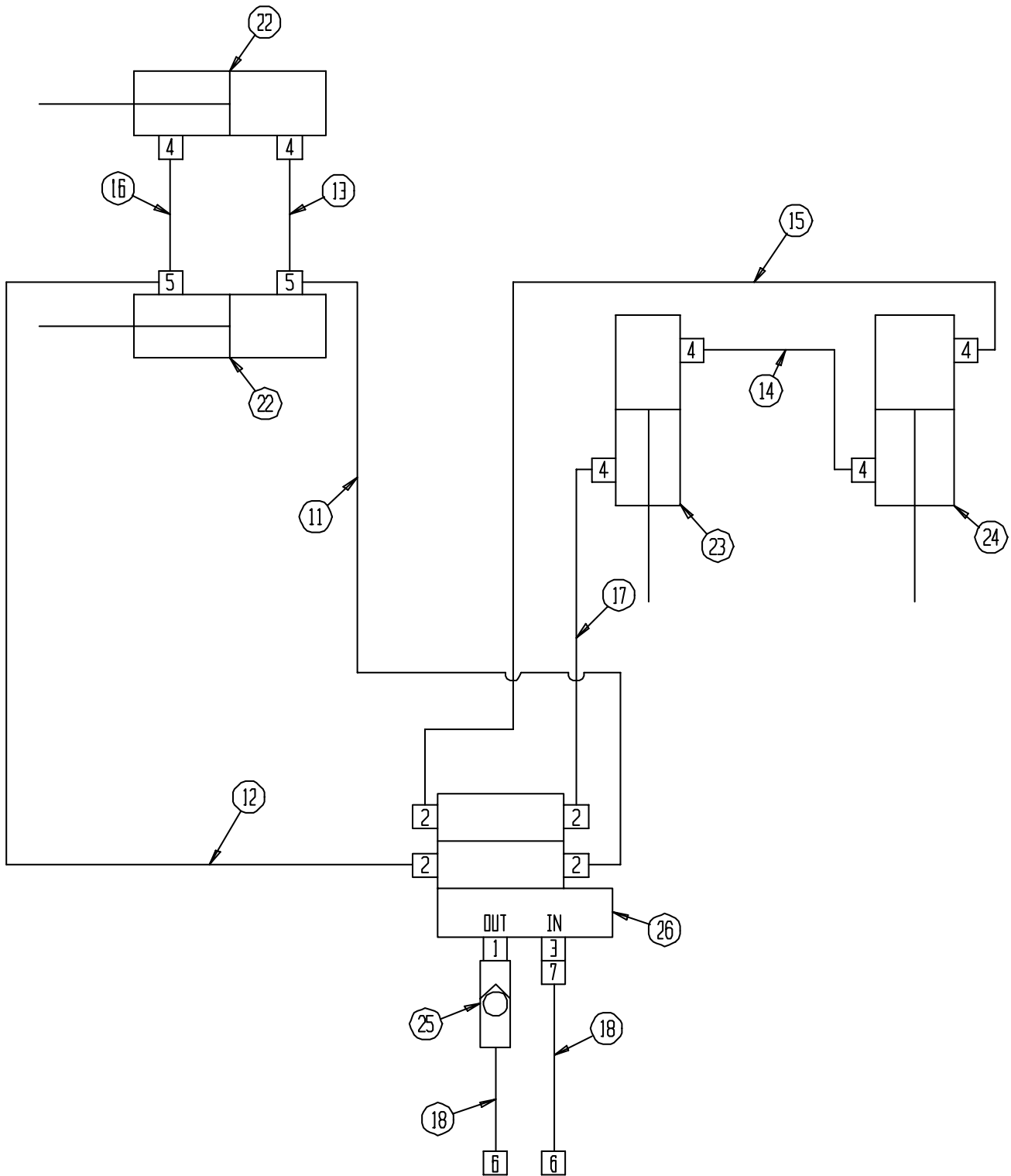
6002-5-2 DISCHARGE CONVEYOR DRIVE SHAFT ASSEMBLY



6002-6-1 Hydraulic Cylinder Assembly

<u>Ref</u>	<u>Part No.</u>	<u>Description</u>	<u>Parts – Assembly</u>	<u>Will Fit SN</u>	<u>Remarks</u>
1	A-6806-10-8	10 SAE x 1/2" MP 90	1		
2	A-6900-8-6	8 SAE x 3/8" FPX With 7/8" Stock Body	4	20095001-	
3	A-6900-10-8	10 SAE x 1/2 FPX	1	20095001-	
4	A-6901-8-6	8 SAE x 3/8" FPX90	6	20095001-	
5	A-6955-8-6-6	8 SAE x 3/8" FPX Tee	2		
6	A-QD2010-8-8	Tractor Quick Coupler, Male, 1/2" w/ FPT	2		
7	A-1501-8-8	1/2 MP x 1/2 FPX90	1		
11	H4-140-6MP-6MP	1/4 in hose 3/8MP x 3/8MP x 140 in long	1		
12	H4-154-6MP-6MP	1/4 in hose 3/8MP x 3/8MP x 154 in long	1		
13	H4-60-6MP-6MP	1/4 in hose 3/8MP x 3/8MP x 60 in long	1		
14	H4-74-6MP-6MP	1/4" hose x 3/8MP x 3/8MP x 74" long	1		
15	H4-80-6MP-6MP	1/4" hose 3/8MP x 3/8MP x 80" long	1		
16	H4-87-6MP-6MP	1/4" hose 3/8MP x 3/8MP x 87" long	1		
17	H4-94-6MP-6MP	1/4 in hose 3/8MP x 3/8MP x 94 in long	1		
18	H8-116-8MP-8MP	1/2 in. hose 116 1/2 x 1/2	2		
20	HA-1031	Hydraulic Hose Holder 3/8	6		
21	HA-1032	Hydraulic Hose Holder 1/2	7	19101	
22	HC-250-1208	Tie Rod Cylinder, Standard 2 1/2" x 12"	2		
23	HC-275-2408-RP	2 3/4 x 24 Rephasing Cylinder	1		
24	HC-300-2408-RP	3 x 24 Rephasing Cylinder	1		
25	HV-CKV-800S	1/2" Parker Check Valve	1		
26	HVE-6036	Directional Control Valve Bank, Vine Diverter	1		
800	HV-1056T	Tie Rod Kit for Windrower	1		
801	HVE-1036BL	Brand Valve Section with Locks	2	HVE-1076, HVE-3046,	Complete,w/o Cartridges & Coils
802	HVE-1036C	Unloaded Inlet Section	1		
803	HVE-1036M	Work Section Cartridge	4		
804	HVE-1036P	Coil	4		Replaces HA-431-B on Manifold Block.

6002-6-1 HYDRAULIC CYLINDER ASSEMBLY

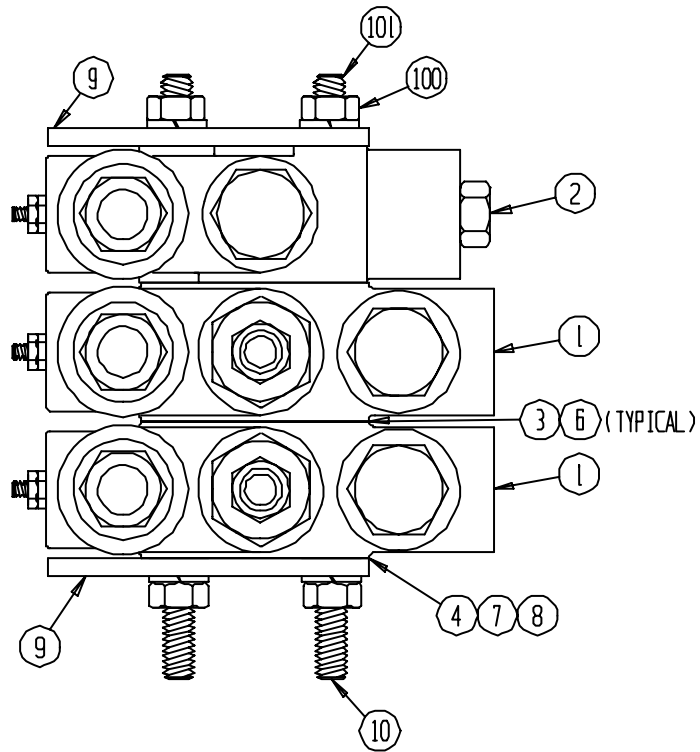


6002-6-2 Electric/Hydraulic Valve Assembly

<u>Ref</u>	<u>Part No.</u>	<u>Description</u>	<u>Parts – Assembly</u>	<u>Will Fit SN</u>	<u>Remarks</u>
1	HVE-1036BL	Brand Valve Section with Locks	2	HVE-1076, HVE-3046,	Complete,w/o Cartridges & Coils
2	HVE-1036C	Unloaded Inlet Section	1		
3	HVE-1036S	Shim (Between Sections)	6		
4	HVE-1037H	O Ring (Parker #2-012)	3		
6	HVE-1037O	O-Ring, Buna N 90 Durometer	6		
7	HVE-1037Q	Backup for O-Ring (Parker #3-012)	3		
8	HVE-1046C	Plug, End Section, Brand Valve	3		
9	HV-1056Z	Mounting Plate, Valve Stack	2		
10	HV-1056T	Tie Rod Kit for Windrower	1		
100	BL-5-LW	5/16 SPLIT LW ZC	6		
101	BL-5-N	5/16 UNF FIN HEX NUT A563 GrA ZINC	6		

6002-6-2 ELECTRIC/HYDRAULIC VALVE ASSEMBLY

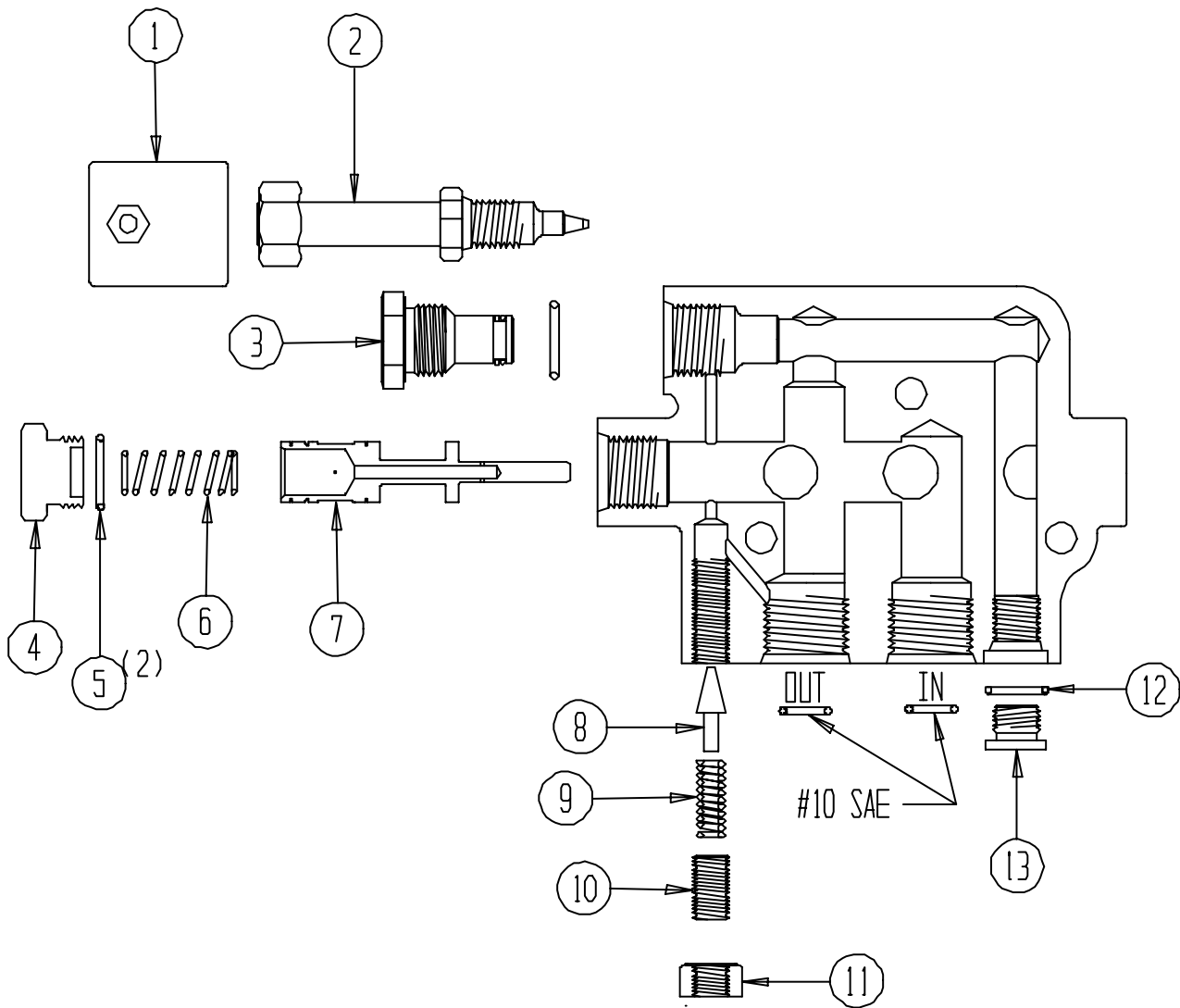
NOTE:
TORQUE SPECS.
NUTS ON LONG BOLTS TO .95 INCH/LBS.
NUTS ON SOLENOIDS TO 2 FT./LBS.



6002-6-3 Elect./Hyd. Valve Section, Unloading Inlet

<u>Ref</u>	<u>Part No.</u>	<u>Description</u>	<u>Parts – Assembly</u>	<u>Will Fit SN</u>	<u>Remarks</u>
1	HVE-1036P	Coil	1		Replaces HA-431-B on Manifold Block.
2	HVE-1036N	Unloading Section Cartridge	1		
3	HVE-1036D	Closed Center Plug	1		
4	HVE-1037D	Unloading Cap	1		
5	HVE-1037P	O-Ring	2		
6	HVE-1037B	Unloading Spring	1		
7	HVE-1037C	Unloading Spool	1		
8	HVE-1037A	Relief Poppet	1		
9	HVE-1036K	Unload Section Relief Spring (Bare Metal-no color)	1		
10	HVE-1037E	Adjusting Screw	1		
11	HVE-1037Y	Nut,Nylon Insert,Sealing	1		Replaces HVE-1037F
12	HVE-1037J	O Ring	1		
13	HVE-1037V	Plug,for # 5 SAE O-Ring	1		

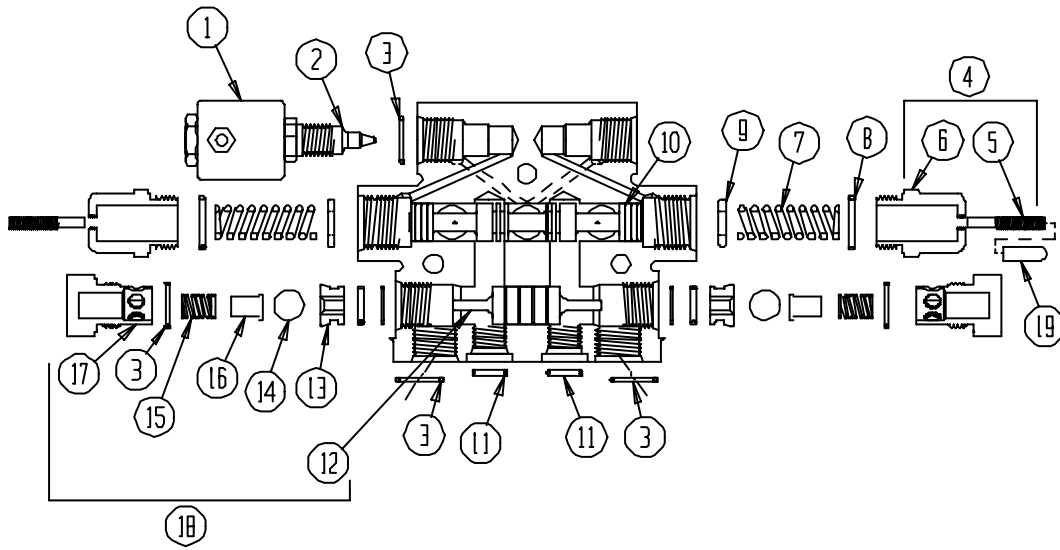
6002-6-3 ELECT./HYD. VALVE SECTION, UNLOADING INLET



6002-6-4 Elect./Hyd. Valve Section, With Locks

<u>Ref</u>	<u>Part No.</u>	<u>Description</u>	<u>Parts – Assembly</u>	<u>Will Fit SN</u>	<u>Remarks</u>
1	HVE-1036P	Coil	2		Replaces HA-431-B on Manifold Block.
2	HVE-1036M	Work Section Cartridge	2		
3	HVE-1037P	O-Ring	4		
4	HVE-1036R	Maual Override Kit for Brand 36 Valve	2		
5	BL-5-250-SS	5/16-24 x 2 1/2" Set Screw, Cup Point	2		
6	HVE-1036WT	End Cap, Threaded for Manual Override	2		
7	HVE-1036Y	Spool Spring for End Cap	2		Replaces # HVE-1036L
8	HVE-1036X	"O" Ring for End Cap	2		
9	HVE-1046V	End spacer for Work Section	2		
10	HVE-1036Z	Spool, Double-Lock Section	1		
11	A-OR-6	O Ring for #6 Adapter	2		
12	HVE-1046P	Lock Spool	1		
13	HVE-1046T	Seat, Delrin	2		REPLACES HVE-1046U & HVE-1047U
14	HVE-1047R	7/16" Steel Ball	2		
15	HVE-1046S	Spring	2		
16	HVE-1047Q	7/16" Spring Plunger	2		
17	HVE-1047W	End Cap, Double Lock Spring Retainer for 7/16" Ball	1		
18	HVE-1047KS	7/16" Double Lock Rebuild Kit W/Delrin Seat	2		
19	HVE-1036R-PC	Plastic Cover for Manual Override Kit	0		

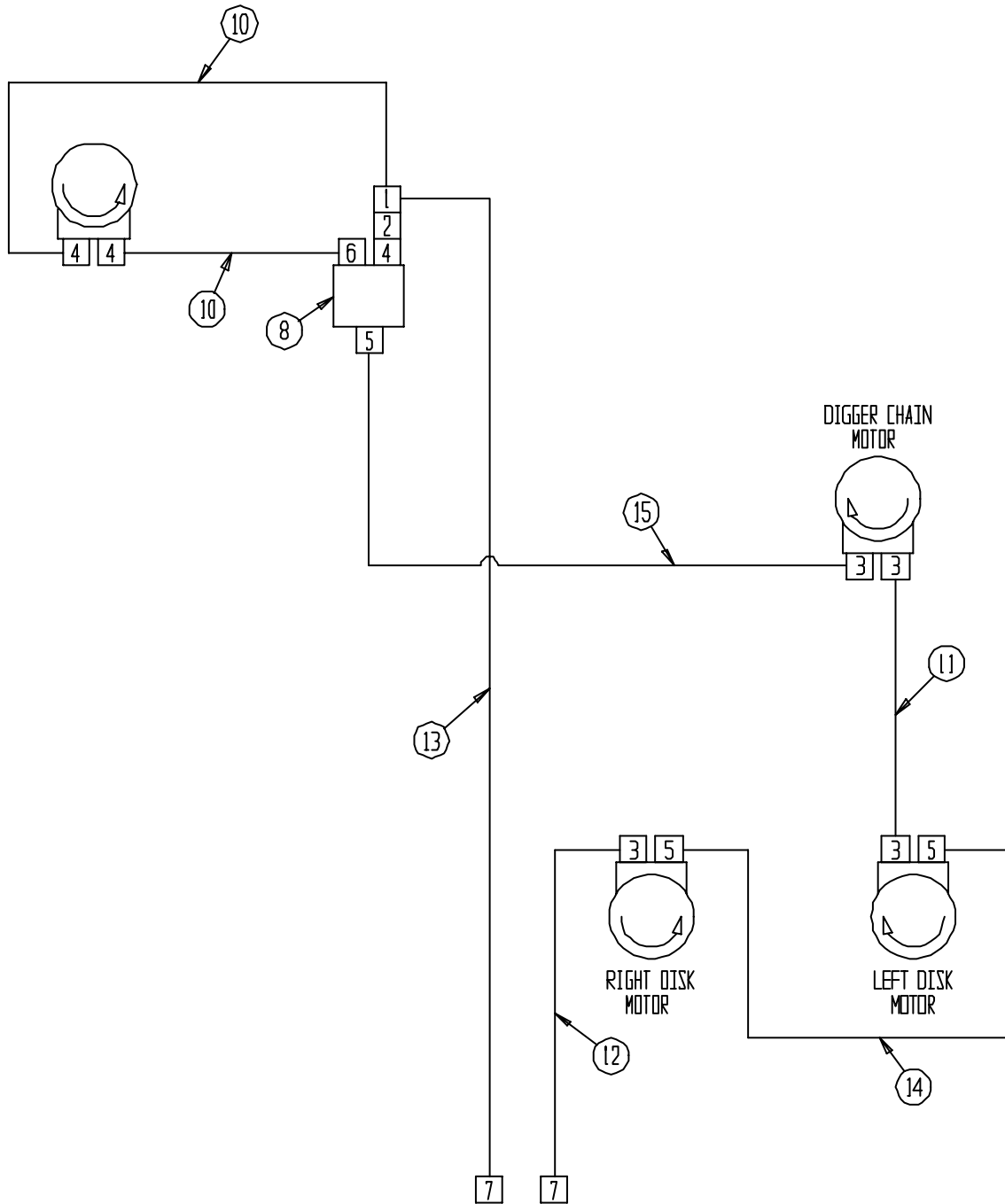
6002-6-4 ELECT./HYD. VALVE SECTION, WITH LOCKS



6002-6-5 Hydraulic Motor Plumbing Assembly

<u>Ref</u>	<u>Part No.</u>	<u>Description</u>	<u>Parts – Assembly</u>	<u>Will Fit SN</u>	<u>Remarks</u>
1	A-1603-8-8-8	Swivel T 1/2" NPTF	1	20095001-	
2	A-5404-8-8	Hex Nipple 1/2" x 1/2"	1		
3	A-6900-10-12	10 SAE x 3/4 FPX	4		
4	A-6900-10-8	10 SAE x 1/2 FPX	3	20095001-	
5	A-6901-10-12	10 SAE x 3/4 FPX90	3	HV-1045K	
6	A-6901-10-8	10 SAE x 1/2 FPX90	1	HV-1045K	
7	A-QD2010-8-8	Tractor Quick Coupler, Male, 1/2" w/ FPT	2		
8	HV-FL30	Flow Control Valve 30GPM	1		
10	H10-120-8MP-8MP	5/8 in hose 1/2MP x 1/2MP x 120 in long	2		
11	H12-112-12MP-12MP	3/4 in hose 3/4MP x 3/4MP x 112 in hose	1		
12	H12-204-12MP-8MP	3/4 in hose 3/4MP x 1/2MP x 204 in long	1		
13	H12-204-8mp-8mp	3/4" hose 1/2MP x 1/2MP x 204" long	1		
14	H12-39-12MP-12MP	3/4 in hose 3/4MP x 3/4MP x 39 in long	1		
15	H12-93-12MP-12MP	3/4" hose 3/4MP x 3/4MP x 93" long	1		

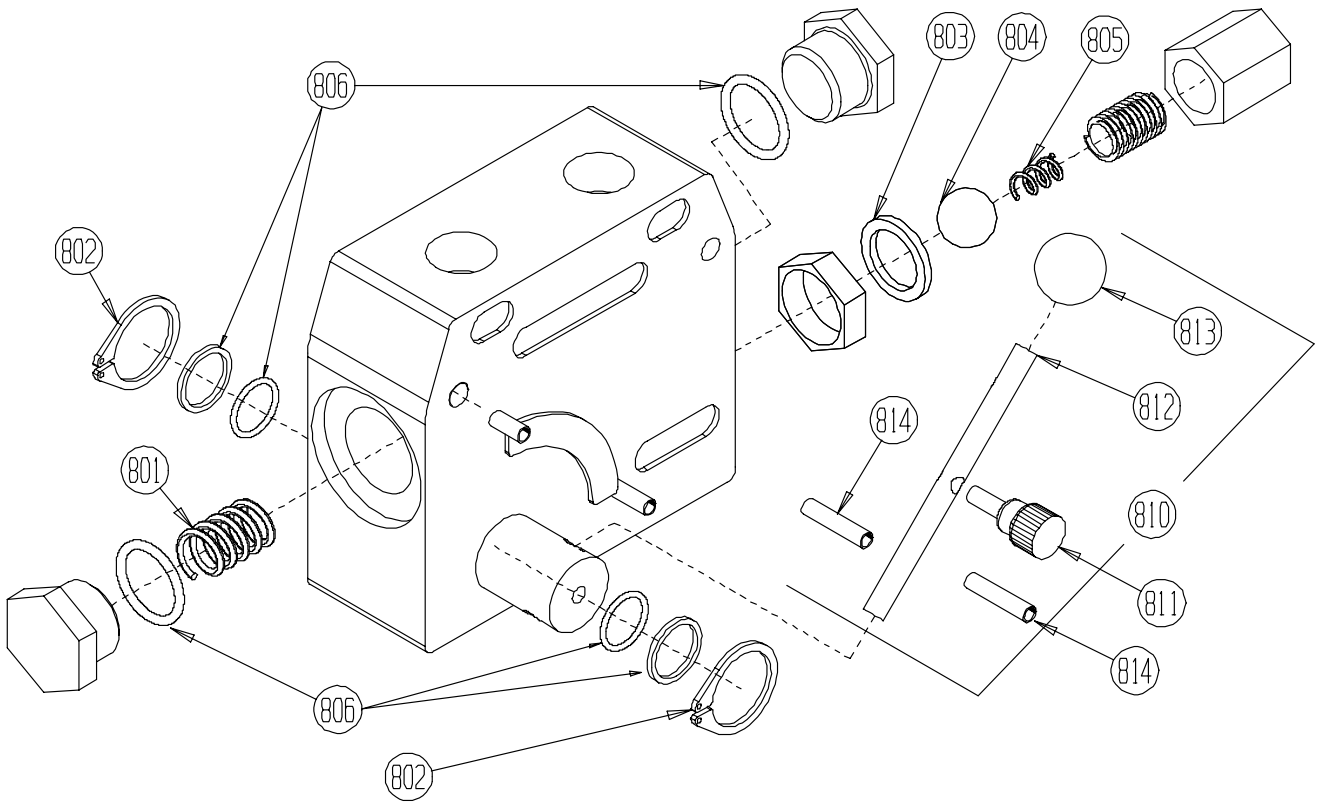
6002-6-5 HYDRAULIC MOTOR PLUMBING ASSEMBLY



6002-6-6 Hydraulic Flow Control Parts Assembly

<u>Ref</u>	<u>Part No.</u>	<u>Description</u>	<u>Parts – Assembly</u>	<u>Will Fit SN</u>	<u>Remarks</u>
0	HV-FL16	Flow control valve 16GPM	0		
0	HV-FL16-R	Hydraulics, Flow control valve 16GPM	0		
0	HV-FL30	Flow Control Valve 30GPM	0		
0	HV-FL30-R	Hydraulic Flo Control Valve with Relief 30GPM	0		
801	HV-1030C	Flo control spool spring	1		
802	HV-1030F	Flo Control Rotary Spool Snap Ring	2		
803	HV-1030G	Crush Washer	1		
804	HV-1030B	Flo control relief ball	1		
805	HV-1030A	Flow control relief spring	1		
806	HV-1030D	Flo control seal kit	1		(2) O-Rings, (2) Backups for Rotary Spool, & (2) End Cap O-Rings for Pressure Spool.
810	HV-1030E	Flo Control Handle Hardware Kit	1		
811	HV-FL-A	Flo Control Securing Knob	1		
812	HV-FL-B	Flo Control Adjust Rod	1		
813	HV-FL-C	Flo Control Adjust End	1		
814	PIN-3-14	Roll Pin, 3/16 x 7/8	2	193-729K	

6002-6-6 HYDRAULIC FLOW CONTROL PARTS ASSEMBLY



6002-7-1 Electrical Assembly

<u>Ref</u>	<u>Part No.</u>	<u>Description</u>	<u>Parts – Assembly</u>	<u>Will Fit SN</u>	<u>Remarks</u>
1	EL-1201	Halogen Lights	3	19201	
2	EL-37678	Spring For 7 Way Plug	1		
3	EL-6000	Electrical Control Box, Vine Diverter	1		
4	ELB-10	Breaker 10 AMP	1		
5	ELB-15	Breaker 15 AMP	1		
6	ELC-1022	22 Guage-10 Conductor @ Foot	0		
7	ELC-127SO	12 Guage, 7 Conductor Trailer Cable	0		
8	ELC-14-BLK	14 Guage Wire, Black	0		
9	ELE-15-964	Junction Box, 4x8x3.5deep, plastic, w/knockouts & plugs	1	19426	
10	ELL-375	3/8" Wire Loom @ft	0		
11	ELT-30502	Ring Terminal #8 x 18-22ga	5		
12	ELT-31004	Terminal Ring, 1/4", 16-14 Guage, Non-insulated	4		
13	ELT-31712	Push On Male 14-16 ga	3	HV-1045K	
14	ELT-31713	Push On Female Terminal 14-16 ga.	3	HV-1045K	
15	ELT-31755	Snap Spade Terminal #10 x 14-16ga	16	HV-1045K	
16	ELT-37675	Seven Conductor Plug	1		

6002-7-1 ELECTRICAL SCHEMATIC ASSEMBLY

